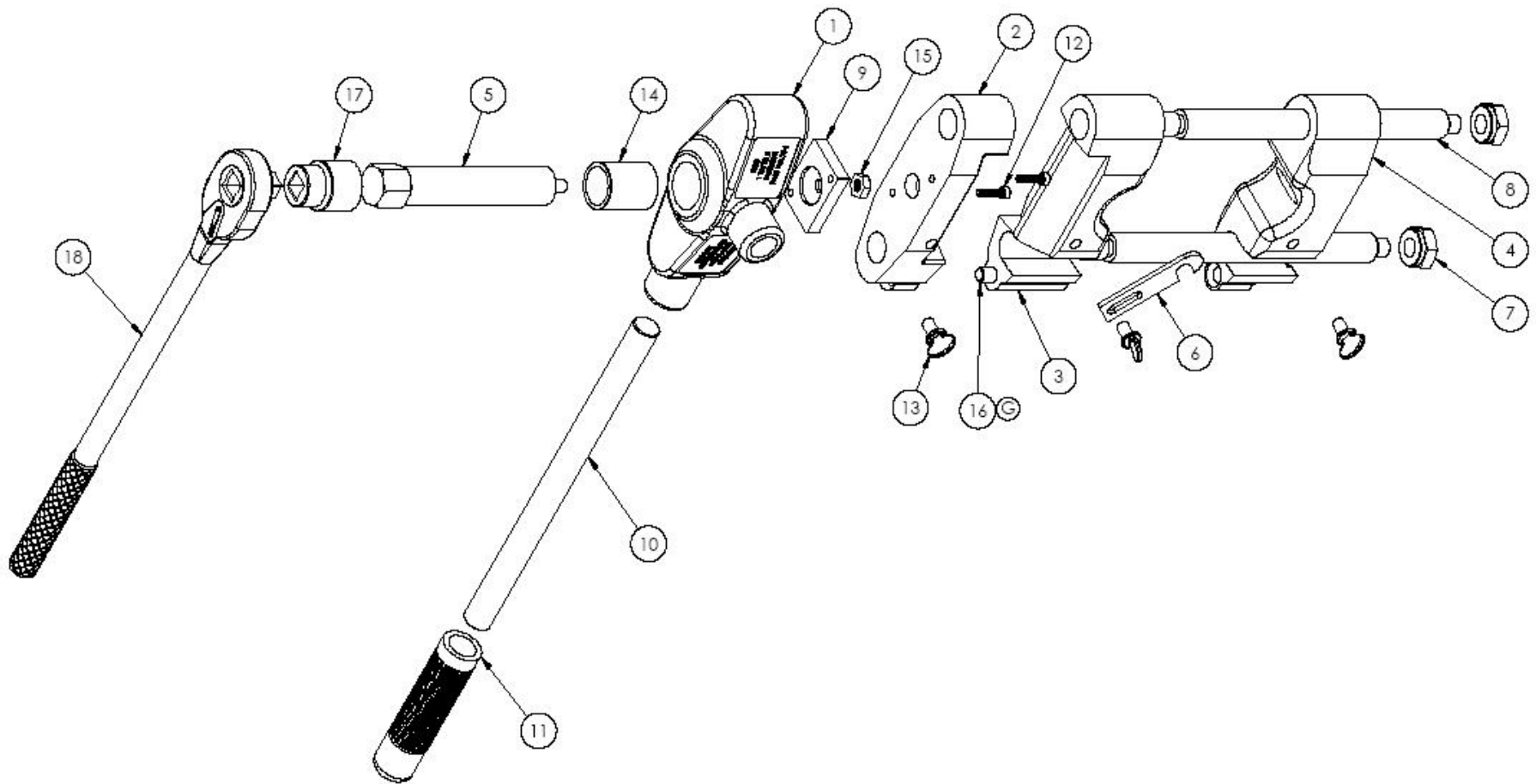


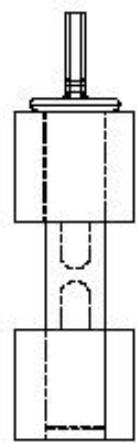
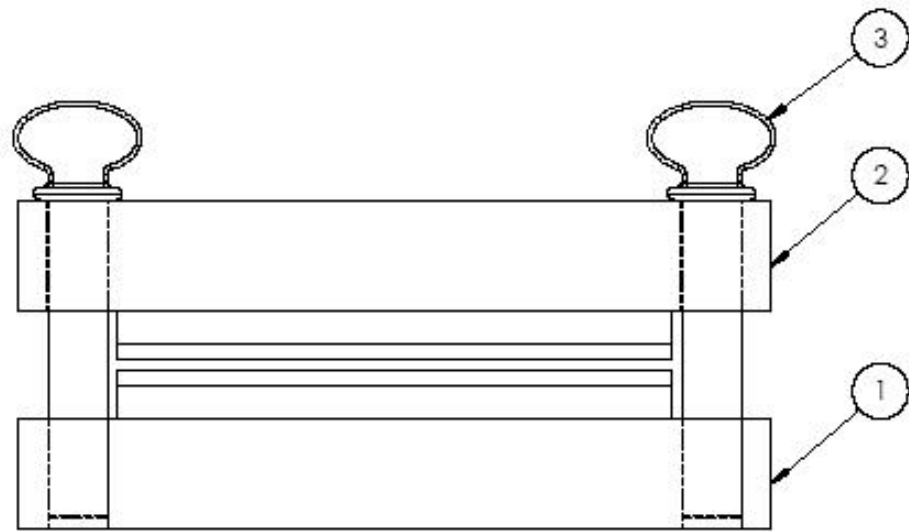
3744 Jefferson Rd., Ashtabula, OH 44005
DESCRIPTION:
SHUT-OFF TOOL
PART NO.



3744 Jefferson Rd., Ashtabula, OH 44005
 DESCRIPTION:
 SHUT-OFF TOOL
 PART NO.

ITEM NO.	PART NUMBER	DESCRIPTION	QTY
1	7013	HEAD	1
2	706	COMPRESSOR DIE	1
3	7070	COMBINATION DIE	1
4	708	REFORMING DIE	1
5	703	COMPRESSOR SCREW	1
6	7010	LATCH	1
7	70142	GUIDE ROD NUT	2
8	70141	GUIDE ROD	2
9	6512	PRESSURE PLATE	1
10	6526	HANDLE	1
11	154	GRIP	1
12	6513	#10-24 SHCS	2
13	6511	THUMB SCREW	3
14	7012	INSERT	1
15	654	5/16-24 HEX NUT THIN	1
16	275302	DOWEL PIN	1
17	506032	1" SOCKET	1
18	6515	RATCHET, 1/2" SQ. DRIVE MALE	1

ITEM NO.	PART NUMBER	DESCRIPTION	QTY
1	722	HOLDING CLAMP, THREADED	1
2	721	HOLDING CLAMP	1
3	623	THUMB SCREW	2



3744 Jefferson Rd., Ashtabula, OH 44005
 DESCRIPTION:
 HOLDING CLAMP
 PART NO.